

Handy Type Charged Plate Monitor STATIRON DP



Angle of the rotary sensor head 180 degree (hold each 45 degree)



AC adapter

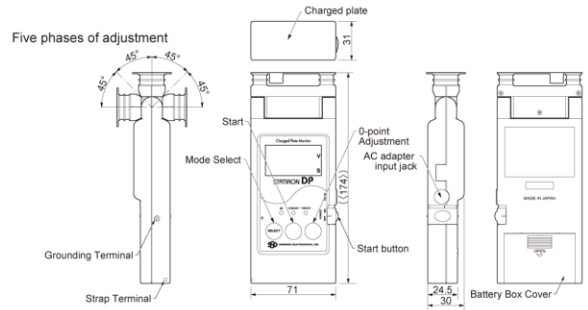


Soft storage case

DP



Dimensional Diagrams



Main Features

Handy CPM: Statiron DP New! Released on April 2010

- As handy type of CPM function, can check the ion balance and decay time of ionizers. Impressed 1000V onto the plate and measure the decay time up to 100V.
- Because it is compact size, it is best for the check the ionizer at the working area.
- SSD original Rotary head Even if the ionizer installed in the device is not detached, it is possible to check with original rotary head.
- Simple and Easy Operation.
- Easy to see with big LCD display.

* The measurement value is not necessarily corresponding to the numerical value of the IEC standard

Model	DP
Signal Detection Method	Oscillating Chopper *1
Plate Size	70×32 mm (IEC standard 150×150 mm)
Plate Capacity	10pF ±10%
Measuring Accuracy	±10%/rdg ± 2 digit
Measuring Voltage Range	0~±1999 V
Measuring Time range	0.0 to 99.9 sec
Angle of Rotary head	180 degree (hold each 45 degree)
Battery Check	Indicate in LCD indicator
Power Supply	Two 1.5V DC AA-type alkaline battery or AC adaptor
Weight	240 g
Main Unit Dimensions	71×174×31 mm (W×H×D)
Accessories	1.5V DC AA-type battery (2 pcs), Soft case, Grounding cable
Operation Environment	0~40°C *2
Optional Part	AC Adaptor (ODP-DA) for AC100 to 240V

*1 The oscillation chopper is very susceptible to shock such as being dropped. Take care not to subject it to strong shock when using it.

*2 Under high humidity environment as over 85% humidity, it will cause the problem to charge the high voltage onto the plate