

Electrodes

AC Voltage Application Method Static Eliminators

- Designed to be used for eliminating static from film, sheets, paper and so forth
- Low-sensitivity construction to minimize electric shock
- The length of the standard high-voltage cable is 1 m.
- The optimum installation location of the bar type electrode is at a distance of 30 to 50 mm away from the charged object (when air is not used).
- The maximum static elimination speed with respect to the charged object is 120 m/min. (Multiple bars can be installed to increase the speed. Please contact your distributor for further information on the specifications.)

Bar Electrode ELIMINOSTAT BJS

Bar electrode for small spaces

(Standard cable length : 1m)

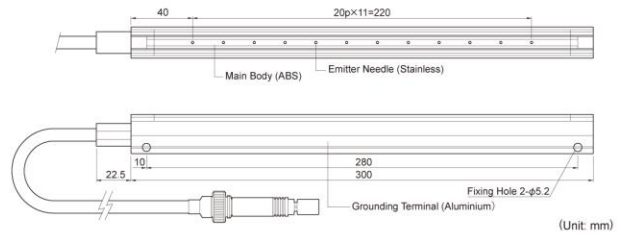
Compact configuration (Square);
ideal for installation in small spaces



Main Features

- Strong Design : Strength Structure with inner filled !
- Easy installation : Easy to install as its compact size !
- Updated performance : Fast decay performance !

Dimensional Diagrams



Bar Electrode ELIMINOSTAT BOS

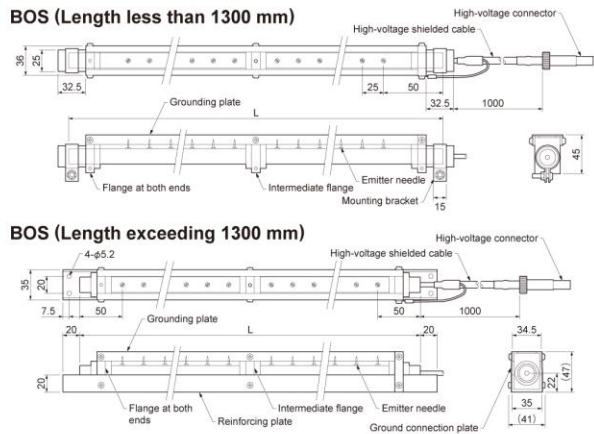
Bar electrode for long-length applications

(Standard cable length : 1m)

Solid construction;
can handle long lengths up to 3000 mm



Dimensional Diagrams



Bar Electrode ELIMINOSTAT BICS

Bar electrode for small spaces

(Standard cable length : 1m)

Compact configuration (Round shape);
ideal for installation in small spaces



Dimensional Diagrams

