

Static Eliminator Blowers

High frequency type

WINSTAT

Static eliminator blower WINSTAT BF-X2ZA

BF-X2ZA



Replacable Emitter unit



Straight louver panel

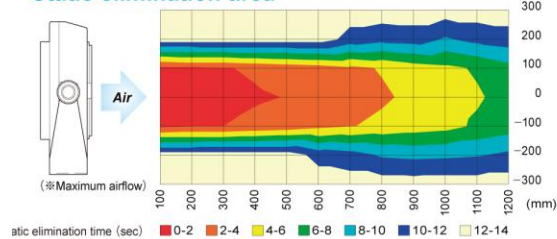


Wide angle louver panel

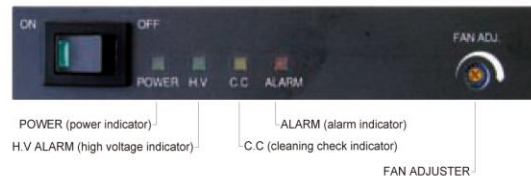
Main Features

- Thin and lightweight high-frequency corona discharge method fan-type ionizer.
- Louver and emitter needle easy to remove and replace.
- Signal output and LED announce when there is dust or abrasions on the emitter needle.
- Can choose the area for static elimination with two types of louvers.
- Main unit angle can be adjusted and locked and the angle never changes due to vibrations.
- Meets RoHS standards.

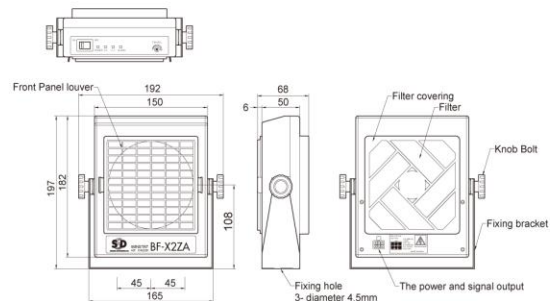
Static elimination area



Indicator Panel



Dimensional Diagrams



Model	BF-X2ZA
Input power supply	DC24 V (with AC100 to 240 V AC adapter)
Electric consumption	10 VA
Output voltage	AC 2,000 V
Ion balance	±10 V or less (distance 300 mm; when shipped from the factory)
Airflow	1.5 to 3.0 m ³ /min
Air speed	1.8 to 3.1 m/sec (straight louver, distance 300 mm; centered) 0.5 to 0.6m/sec (wide-angle louver, distance 300 mm; centered)
Ozone density	0.04 ppm or less (distance 150 mm)
Operating Environment	10 to 40°C / 15 to 65% RH (no condensation)
Output signal	MOS FET relay no voltage contact output Abnormal high voltage (ALARM), cleaning check (C.C)
Main unit dimensions	150×182×68 mm (W×H×D) not including protruding portion
Weight	Approx. 790 g (including stand)
Noise	56 dB(A) (distance 1m)
Accompanying items	Operation manual, AC adapter, wide-angle louver, ground wire, signal output cable, cleaning brush
Optional parts	Emitter needle unit, filters (package of 10)